

人と夢をつなぐクリーンテクノロジー

KOGANEI

<http://www.koganei.co.jp>

Catalog No.BK-P407

NEW
Products

Static Electricity Removing Unit Ionizer

Air gun type

DTY-ELG31

Light weight

140 g [4.94 oz]

Pulse blow type: 190g [6.70oz]

* Without cables

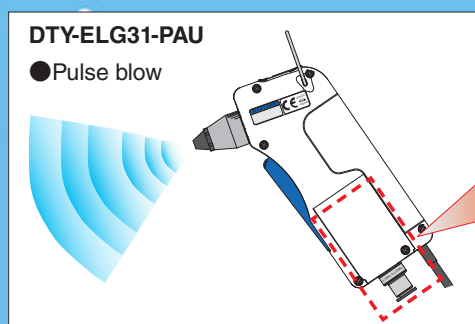
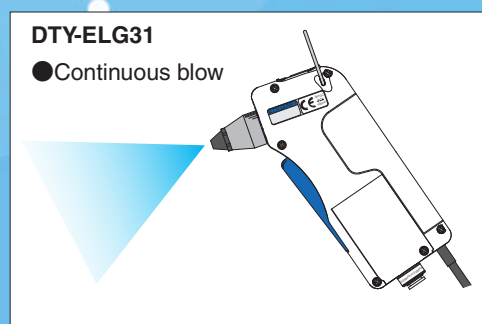


Lighting LED equipped as standard



LED OFF

LED ON



Pulse blow unit built in

Reduce air consumption!

Reduces compressed air consumption to contribute to energy saving at the plant.

Static Electricity Removing Unit Ionizer

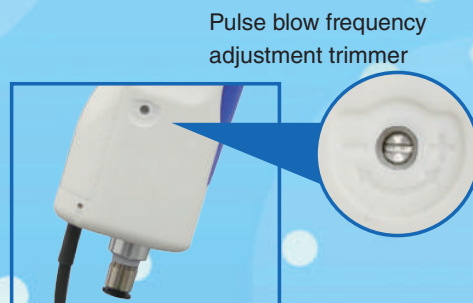
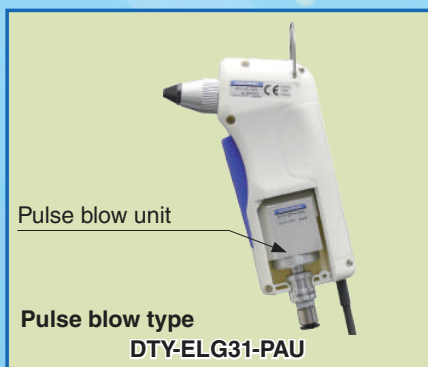
Air gun type

DTY-ELG31

□ Features

- The product is designed for easy holding, and has a 140g [4.94oz] light weight body. (DTY-ELG31) 30% reduction in weight (compared to our products)
- A high-frequency AC method provides high efficiency of electrostatic charge removal and outstanding ion balance.
- Highly flexible, flex-resistant cable is used for connection. (Main unit cable only)
- A separate controller is unnecessary because a valve and ion generator is built in.
- For -PAU, pulsed air improves energy saving/dust removal efficiency. (The pulse blow frequency is variable in the range of 5 to 15Hz.)

The IN port and the pulse blow unit are detachable. Options (sold separately) are replaceable.



- Equipped with a lighting LED as standard. The high-brightness LED helps to prevent overlooking small foreign contaminants, and check foreign contaminants on hole bottoms, etc.



The lighting LED switch enables you to select among normally OFF (OFF)/normally ON (ON)/level sync (SYNC).



□ Features

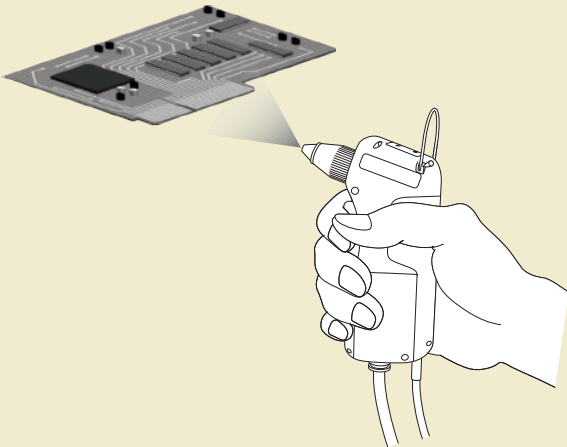
- The extension nozzle enables to perform electrostatic charge removal and dust removal in narrow spaces.

Extension nozzle

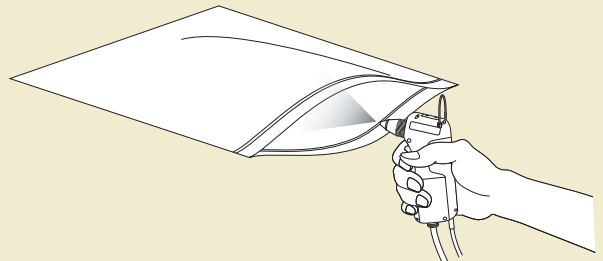


Applicable examples

- PWB electrostatic charge removal·dust removal



- Electrostatic charge removal and dust removal inside a packaging plastic bag



Specifications

Model		DTY-ELG31-□
Input voltage	V	DC24±5%
Current consumption	mA	100 or less
Output voltage	kV	Approx. 2.5 (high frequency type)
Display	Power/discharge	Power ON: Indicator LED (green) flashing Discharge: Indicator LED (green) ON
	Alarm	Alarm indicator LED (red) ON
Lighting LED		White LED
Lighting LED switch		Normally OFF/Normally ON/Lever sync
Outer dimensions	mm [in.]	101.1(L)×32(W)×118.9(H)[3.980(L)×1.260(W)×4.681(H)] (not including protrusions)
Mass	g [oz]	DTY-ELG31: 140 [4.94] DTY-ELG31-PAU: 190 [6.70] (without cables)
	Ion balance ^{*1}	±15
Pulse frequency ^{*2}	Hz	5 to 15
Ozone generation amount ^{*3}	ppm	0.04 or less
Medium ^{*4}		Air (clean air, water vapor and oil removed)
Operating air pressure range	MPa [psi]	DTY-ELG31: 0.05 to 0.6 [7 to 87] DTY-ELG31-PAU: 0.2 to 0.6 [29 to 87]
	Operating Environment	Indoors: 0 to 40°C [0 to 104°F]/65% or less (non-condensation)
Material		Body: PBT, Nozzle: PPS
Accessories		AC Adapter, Instruction Manual

*1: Distance 100mm [3.937in.] from nozzle port, pressure 0.4MPa [58psi], standard nozzle

*2: Depending on the piping conditions and the nozzle used, the frequency/flow characteristics may differ.

*3: Distance 200mm [7.874in.] from nozzle port, pressure 0.2MPa [29psi]

*4: Be sure to supply air when using.

Remark 1: Ion balance is measured according to our measurement conditions.

2: Do not use other nozzles other than the dedicated one. Do not alter the nozzle. Doing so could cause the product to fail, stop working, and break.

3: The tube must be φ6 in diameter and be 3m [9.840ft] or less in length. Otherwise, the electrostatic charge removal performance/pulse blow operation could be affected.

Do not replace the fitting.

Order codes

● Main unit
DTY-ELG31-□

Blank: No pulse blow unit
PAU: Pulse blow unit built in

 -PAU cannot perform continuous blow. To use continuous blow, select "Blank".



 Cable length: 2000mm [78.740in.]

AC adapter (accessory)
Rating
Input : AC100 to 240V
50/60Hz 0.3A
Output: DC24V 0.5A
Cable length: 1200mm [47.244in.]

● Options (sold separately)
Replacement discharge needle (unit: 5 per set)

DTY-ZEM-G31




Replacement nozzle
DTY-Z□-G31

N1: Replacement nozzle
N2: Extension nozzle



Pulse blow unit
DTY-ZPA-G31



 The options are common to the Static Electricity Removing Unit Ionizer-Air gun types DTY-ELG31 and DTY-ELG41. For information about DTY-ELG41, see "Catalog No.P408".


AC adapter (1200mm [47.244in.])

DTY-ZPS-G31



IN port
DTY-ZNP-G31



 Label to apply to the pulse blow frequency adjustment trimmer section attached

* Label used to seal the trimmer section when removing the pulse blow unit.

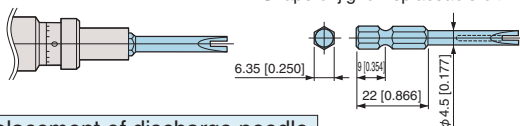
Extension cable
DTY-Z□-G31

CE3: Extension cable 3m [9.840ft]
CE5: Extension cable 5m [16.400ft]
* Flex-resistant cable

Special tool for replacing discharge needle
NOTE: Only bits are for sale.

DTRY-ELB21

Shape of jig for replaceable bit



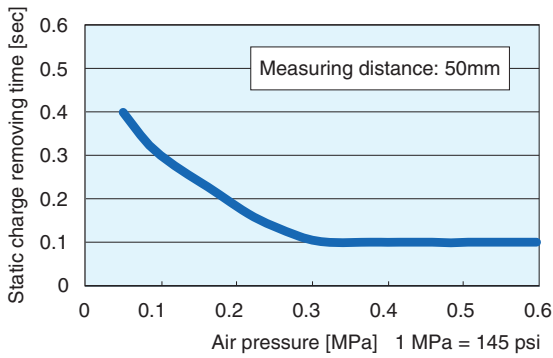
Replacement of discharge needle

When replacing the discharging needle, use the dedicated tool **DTRY-ELB21** in combination with a torque driver. The dedicated tool is designed not to damage the discharge needle or the threaded part of the main body. Replacing with another tool may cause damage to the discharge needle and main body, etc. The tightening torque for replacement should be 15 to 20N·cm [0.111 to 0.148 ft·lbf]. If the discharge needle is replaced without using the dedicated tool and the discharge needle, main body, etc. are damaged, the warranty will not cover.

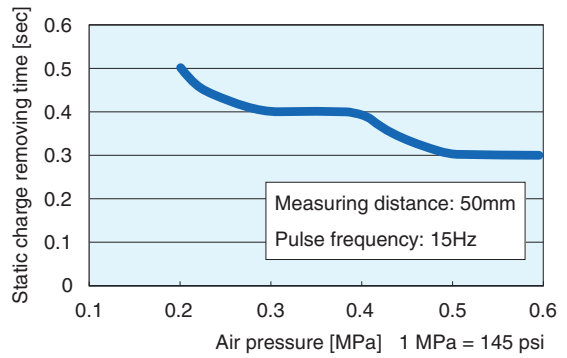
NOTE: When replacing the nozzle or take off the nozzle for the maintenance of the discharge needle, tighten the nozzle securely by hand without using a tool. Tightening the nozzle with excess force could damage the threaded portion, etc.

Static charge removal characteristics

DTY-ELG31



DTY-ELG31-PAU



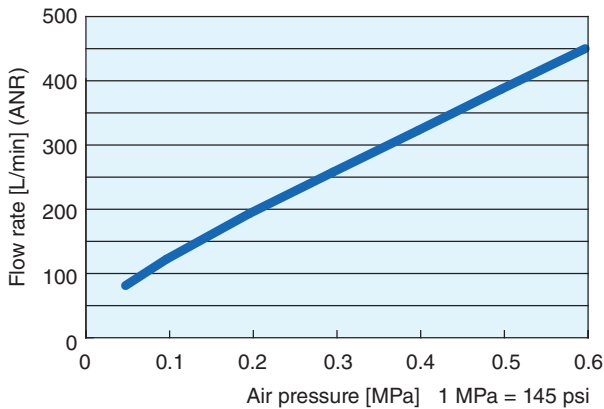
Note 1: Measured using a 150 mm[5.906in.], 20pF charged plate monitor.

Note 2: The static charge removing time is the decay time from $\pm 1000V$ to $\pm 100V$. (Standard nozzle)

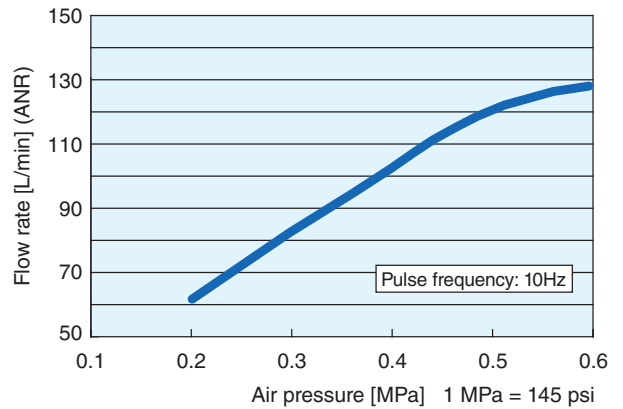
Note 3: The above data are actual measurement valve and are not guaranteed.

Flow characteristics

DTY-ELG31



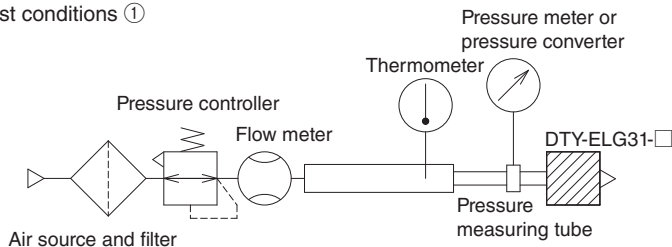
DTY-ELG31-PAU



Note 1: According to our test conditions ①.

2: The above data are actual measurement valve and are not guaranteed.

Test conditions ①



Warning

- Do not point the tip of the nozzle at a person.
- Use safety glasses and earplugs because blowing air could blow objects into people's eyes or cause hearing loss.



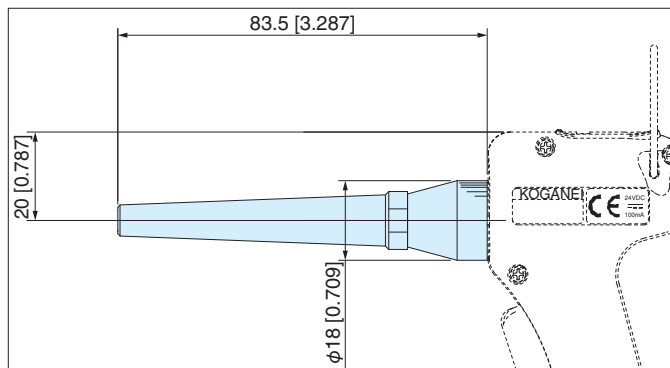
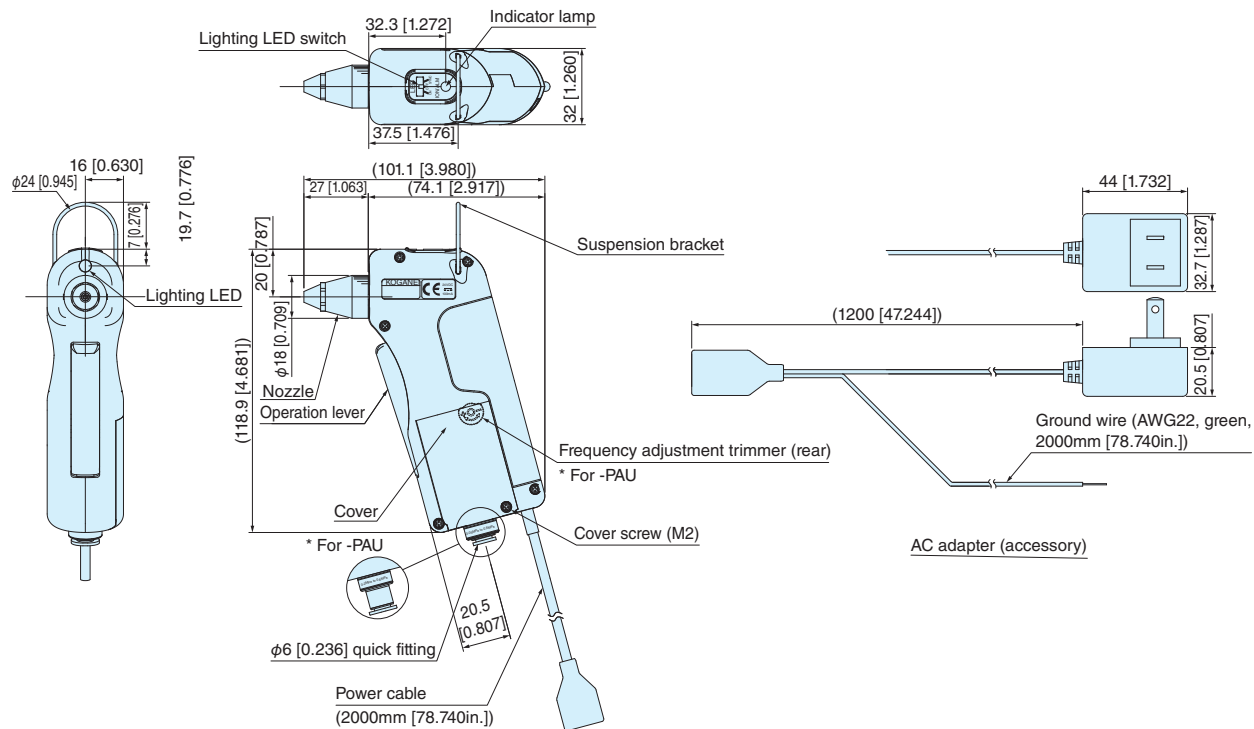
Caution

Prior to using the product, be sure to read "Safety precaution" on page 5 of "Catalog No.R0009 Static Electricity Removing Unit Ionizer" catalog.

● Main unit

DTY-ELG31

DTY-ELG31-PAU

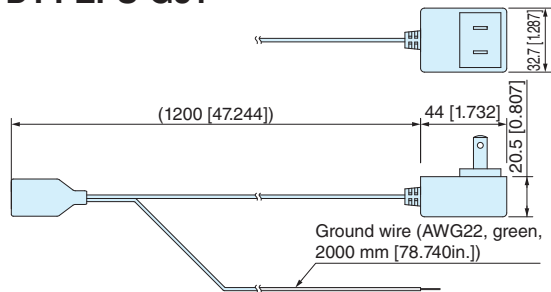


When the extension nozzle is attached

Dimensions (mm [in.])

● AC adapter

DTY-ZPS-G31

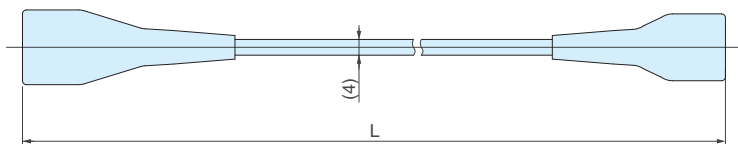


● Extension cable

DTY-Z□-G31

CE3: Extension cable 3m [9.840ft]

CE5: Extension cable 5m [16.400ft]



L dimensions

Model	L(mm [in.])
DTY-ZCE3-G31	3000 [118.1]
DTY-ZCE5-G31	5000 [196.9]

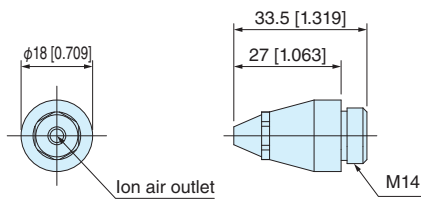
● Nozzle

DTY-Z□-G31

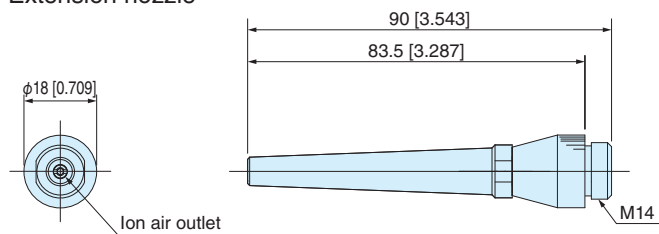
N1: Replacement nozzle

N2: Extension nozzle

Replacement nozzle



Extension nozzle





General precautions

1. Make sure that no excessive external force is applied to the product.
2. Do not disassemble or alter the product.
3. Protect the product from ultraviolet rays, rain, and wind.

Mounting

1. When installing each device, make sure that it is not stained with water or oil and is free from high temperature and humidity. In particular, avoid a location where condensation occurs.

Wiring

1. Be sure to ground the ground wire to frame ground (F.G.).
2. If using any device that can generate noise (such as a switching regular and an inverter motor) around the product, be sure to ground the frame ground (F.G.) terminal of the device.
3. After the end of wiring, check if the connections are correct.

Notes on use

1. Be sure to turn OFF the power before inspection, cleaning, and maintenance.
2. In the event of a failure, adjustment and repair are necessary. Be sure to contact us.
3. Maintenance is very important for performance retention. Conduct periodic maintenance according to the Instruction Manual for the product.
4. Check any devices and parts (in particular, low ozone resistant parts such as NBRs) used near the ionizer to see if they are ozone-deteriorated.
5. Do not use this product with any moving parts that give vibration or impact.
6. Do not use the AC adapter cable or the power and signal lines attached to this product with any moving parts. Doing so could cause the cable and lines to break.
7. Use this product within the pulse frequency range mentioned in the specification table.

Warranty and disclaimer

1. Warranty Period

The warranty period of KOGANEI CORP. products is one year from the date of delivery.

* Some products have a two-year warranty period. For details, contact the nearest KOGANEI CORP. office or Overseas Department.

2. Warranty scope and disclaimer

- (1) If a failure attributable to KOGANEI CORP. is found in a product purchased from KOGANEI CORP. and an authorized retailer/dealer during the warranty period, KOGANEI CORP. will repair or replace it free of charge. For some products, a service life, such as the number of operations, may be specified in their warranty periods. For details, contact the nearest KOGANEI CORP. office or Overseas Department.
- (2) The warranty of each KOGANEI CORP. product shall apply to that product alone. Consequently, KOGANEI CORP. shall in no way be responsible for any incidental damage (including costs incurred for the repair and replacement of the product) attributable to any failure of the KOGANEI CORP. product, decrease in function, or decrease in performance.
- (3) KOGANEI CORP. shall in no way be responsible for any damage induced by any failure of the KOGANEI CORP. product, decrease in function, or decrease in performance or any damage to other devices attributable to the same.
- (4) KOGANEI CORP. shall in no way be responsible for any damage due to use or storage beyond the range in the product specifications mentioned in the KOGANEI CORP. catalog and the Instruction Manual or due to any acts not mentioned in the mounting, installation, adjustment, maintenance, and other notes.
- (5) KOGANEI CORP. shall in no way be responsible for any damage caused by any failure of the KOGANEI CORP. product due to any fire not attributable to KOGANEI CORP., any natural disaster, any act by a third party, the intention or negligence of the customer, etc.